

1 2 3 4 5 6 7 8

A A

B B

C C

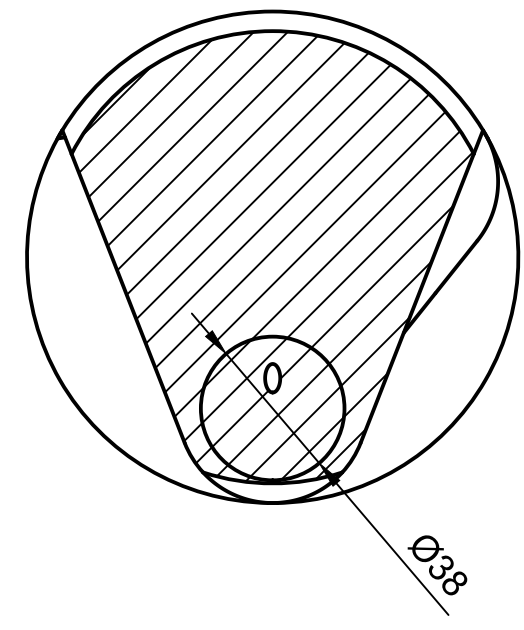
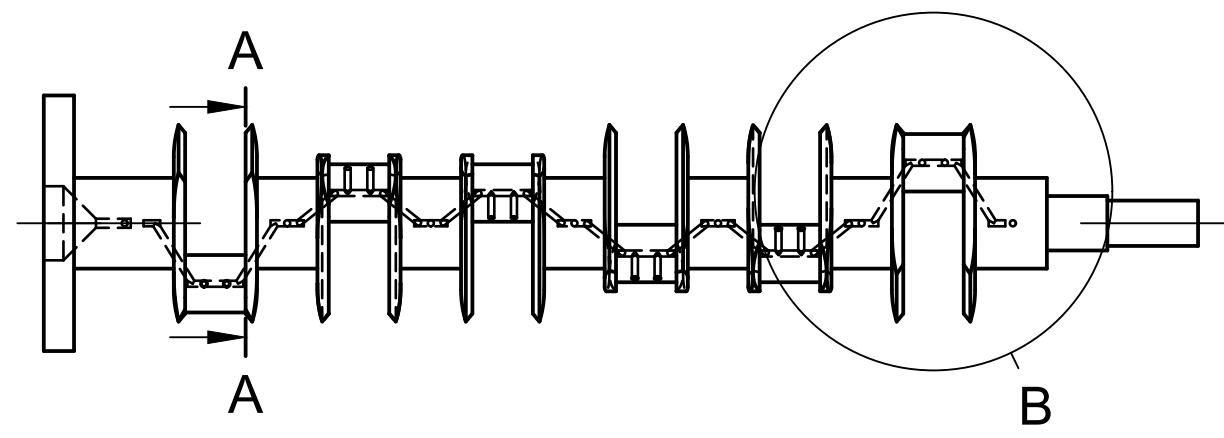
D D

E E

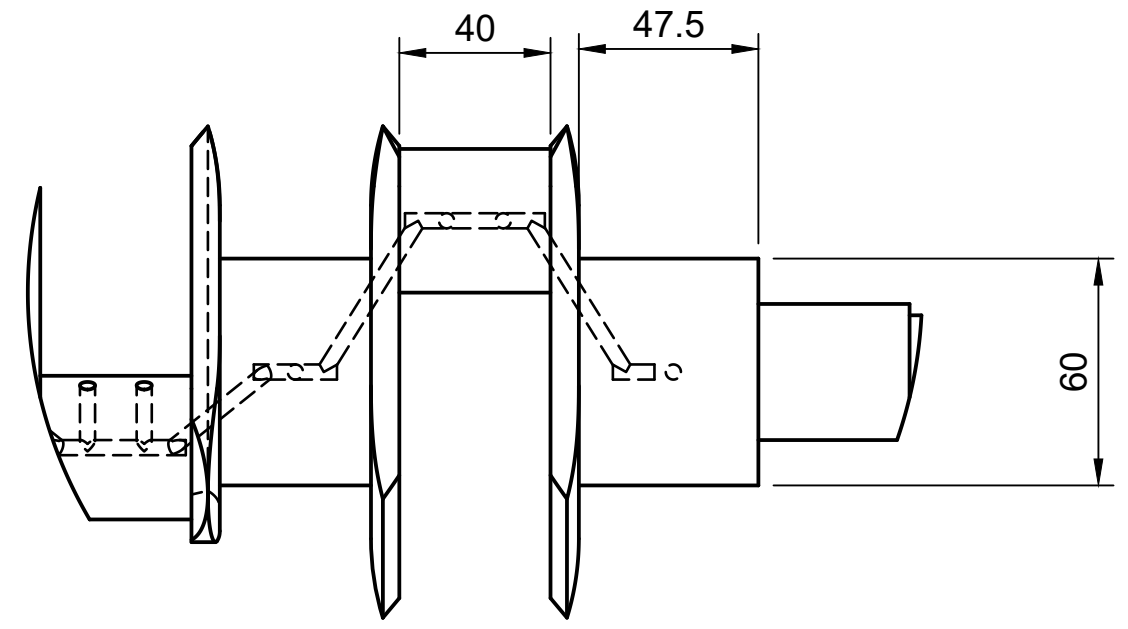
F F

1 2 3 4 5 6 7 8

A-A (1:2)



B (1:2)



Dept.	Technical reference	Created by	Approved by
		Document type	Document status
		Title	DWG No.
	Rev.	Date of issue	Sheet 1/1